

HSAJET® Micron MCHP1

Unique small controller and printer in one
– ideal for repeat printing jobs

HP TIJ 2.5 technology

The HSAJET® Micron printer is based upon reliable HP TIJ 2.5 technology which delivers consistent, high-quality, fast printing, exceptional value, and ease of use.

The Micron printer is ideal for integration on label dispensers, webs and production lines for print on labels, foils and all cartons for food and pharmaceuticals. The possibilities are endless.

Load print job from USB-key

Build your print job on a PC using the free MicroDraw software delivered with the printer. Transfer to USB-key and connect to your Micron printer and you are ready to print. The layout can be saved to the internal memory and the USB-key may be removed.

Easy to integrate and use

The Micron printer is an 'out of the box' unit. Place an ink cartridge in the head, connect to power and print instantly by pushing a button.

The printer takes up very little space. Not much more than the actual print cartridge itself. This makes it very easy to integrate.

Print horizontally or simply change the position of the printer 90° for printing vertically/down.

Built-in sensor

The Micron printer has an internal sensor. If external sensor is required connect this directly to the printer.

The sensor distance is easily selected when designing the print job.



½" print height

The Micron printer runs with 1 HP print cartridge allowing a print height of 12.7 mm.

Ink cartridges

A wide range of inks for each application is available: spot colours, UV inks and fast drying inks. The printer allows parameters settings for each ink to reach the best performance in all situations.

Prints in 300 x 300 DPI

- GRAPHICS
- COUNTERS
- TEXT (ALPHANUMERICAL)
- 1D & 2D CODES (FIXED)*
- DATE & TIME (REAL-TIME & ADJUSTED)
- 3 WINDOWS TRUE TYPE FONTS

* For information on specific barcodes please go to www.hsasystems.com

Technical Details

HSAJET® MICRON MCHP1

Technology

HP TIJ 2.5

Print height

12.7 mm / ½"

Printheads

1 pen integrated

available in two versions for left or right travel (MCHP1-L or MCHP1-R)

Print distance

0.5-2.0 mm (nozzle to print surface)

Voltage

15 V (power supply included)

Memory

1 print job in unit

Design software

MicroDraw (for WinPC)

Print options

Left/Right, Upside-down

Layout options

Max. length 2400 px (~10 cm in 600 DPI)

Unicode support in text

Object rotation (fixed): free

Object rotation (variable): 180 deg

Works with mm/inch/point/pixel

Interface

USB 2.0

Encoder input 3-33 V (SUB D9)

In-/output 3-33 V (SUB D9)

Signals

Low ink signal (diode)

Print signal (diode)

Built-in sensor

Complies with

CE directives

Housing

Stainless steel

Weight

0.53 kg / 1.17 lbs

Accessories

- Power cable with local wall plug
- External sensor
- Encoder
- Bridges and brackets

Resolution (DPI) (horizontal x vertical)	Max. speed	
	m / min	feet / min
300 x 300 1 row	76	250
150 x 300 1 row	152	500
75 x 300 1 row	304	1000

Resolution (Horizontal)

Different resolutions can be chosen between 50 and 600 DPI.

The maximum speed is affected by selection of horizontal resolution, since the frequency of the printhead remains the same.

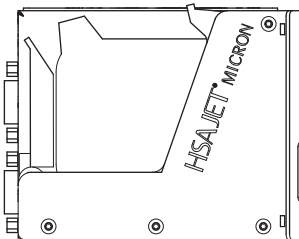
75 DPI max 302 m/min to 600 DPI max 38 m/min.

Resolution (Vertical) - Ink saving

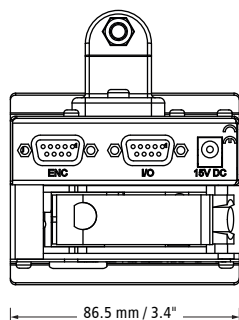
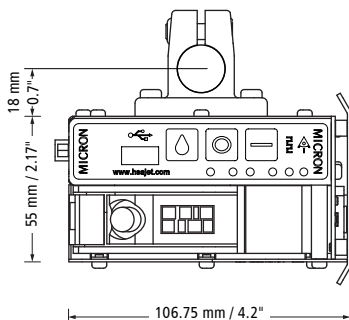
Save ink costs by removing lines from the printed image.

Available options are 300, 225, 200, and 150 DPI (0%, 25%, 33%, 50% ink reduction).

Notice that because of print height being just ½", the number of active dots is 150 to 75.



19.5 mm
← 0.8" ←
Dist. to print nozzle



IN THE BOX

I/O-connector kit

Power supply
15 V

USB Key

CD w. software



Inoco
FLK18 bracket

Start Guide

CHECK OUR WEBSITE FOR LATEST REVISION OF THIS DATASHEET

DISTRIBUTOR:



HSA Systems (head offices)

DENMARK | SKOVUNDE +45 4494 0222 | ODENSE +45 6610 3401

HSA Systems (subsidiary offices)

FRANCE +33 1 4815 5050 | GERMANY +49 5257 938 6777

www.hsasystems.com | mail@hsasystems.com